



SOCKET SYSTEMS

www.LynnSafety.com

SOCKETS:

Sockets are galvanized steel members used to easily connect the davit to the building.



DESCRIPTION:

Sockets are used to attach a davit to either a pedestal or to the building's structure. The type of socket that is designed for davit systems depends on the type of structure and variables with other equipment on the building.

Sockets provide a means to setup, support, and rig a davit. Davits provide an effective method for suspension of powered platforms (swing stage), single-man-baskets, or bosuns chairs (suspended equipment). Sockets can either be portable or fixed to the building depending upon access and building conditions.



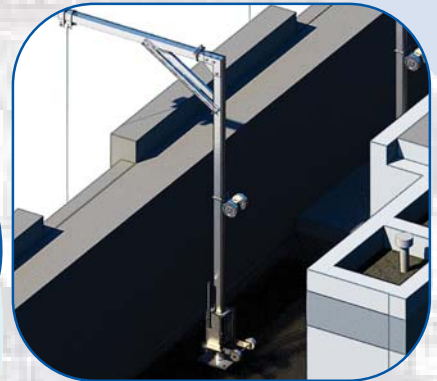
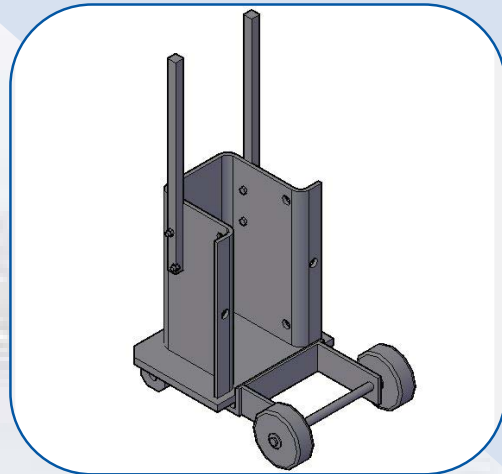
DESIGN CONSIDERATIONS:

When designing for a Socket System, Lynn Safety looks at different parts of the building and structure. Different levels, obstructions for rigging, or elevation changes, can determine the best type of socket system required for a project.

All portable sockets over 80 pounds are required to be equipped with a means of transportation and should have a means of easily installing them to the pedestal base. Ramps or davit craning devices are the most common means for accomplishing this.

All sockets are load and function tested by Lynn Safety field technicians to confirm that the equipment was installed and manufactured properly. Function testing assures that the sockets successfully engage the pedestals at each location prior to commissioning the system.

Lynn Safety provides Design services to work in conjunction with your projects needs to determine the most cost effective, safe, and end user friendly system for your building.

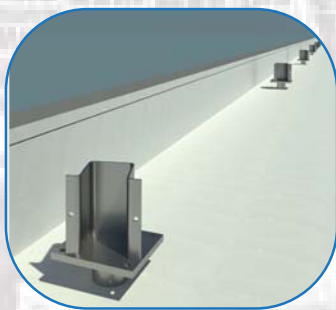
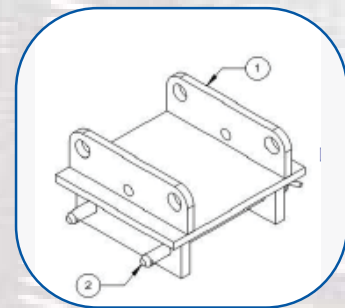


SOCKET TYPES:



Depending on the building's features, Lynn Safety designs sockets that fit the project. Every project is designed and engineered to confirm the type of socket system selected is adequate for the building.

Portable Sockets are sockets that are transported from one pedestal to another to be used where multiple pedestals are installed throughout a building. A pedestal system with portable sockets are the most common type of equipment when designing for a Davit System as the upfront costs for steel bases installed to the structure are minimized, compared to a Fixed Socket System.



Fixed Sockets are designed to remain at a fixed location as there may be access or structural limitations preventing a portable socket or davit from being installed. Fixed Sockets provide another option for utilizing a davit system when such limitations are present.

Flush Mounted Portable Sockets are designed to be installed to Flush Mounted or Recessed Pedestals. When concealing equipment installed on pedestrian accessed floors, Flush Mounted Pedestals with Flush Mounted Mobile Sockets provide the greatest form of concealment.





At Lynn Safety, our mission is to provide a cost effective, safe, and compliant system for accessing the exterior of buildings.

Lynn Safety is committed to creating long lasting relationships built on Positive, Responsive Quality Service and reinforced using strong internal teamwork.

Lynn Safety is committed to our clientele to complete all projects, regardless of adversity faced.

Contact



Lynn Safety
(800) 436-6201
info@lynnsafety.com